

Thermomagnetic device circuit breaker - UT 6-TMC M 1A - 0916604

Please be informed that the data shown in this PDF Document is generated from our Online Catalog. Please find the complete data in the user's documentation. Our General Terms of Use for Downloads are valid (<http://phoenixcontact.com/download>)



Thermomagnetic circuit breaker, 1-pos., for DIN rail mounting

Your advantages

- ✓ Simple feed-in due to bridging capability using CLIPLINE complete accessories
- ✓ High system availability, thanks to easy resetting
- ✓ Quick and easy identification with large-area marking options
- ✓ The right device for every application, thanks to a nominal current range of 0.5 to 16 A
- ✓ Space savings of 30 % compared to miniature circuit breakers owing to the compact width of 12.3 mm



Key Commercial Data

| | |
|--------------------------------------|---|
| Packing unit | 1 pc |
| GTIN |  4 046356 449007 |
| GTIN | 4046356449007 |
| Weight per Piece (excluding packing) | 66.670 g |
| Custom tariff number | 85362010 |
| Country of origin | Czech Republic |

Technical data

General

| | |
|-----------------------|-----------------|
| Number of levels | 1 |
| Number of connections | 2 |
| Mounting type | DIN rail: 35 mm |
| Color | gray |

Thermomagnetic device circuit breaker - UT 6-TMC M 1A - 0916604

Technical data

General

| | |
|--|------|
| Number of positions | 1 |
| Overvoltage category | II |
| Insulating material | PA66 |
| Flammability rating according to UL 94 | V0 |

Electrical data

| | |
|---|-----------------------------------|
| Fuse type | Automatic device |
| Rated surge voltage | 2.8 kV |
| Rated voltage | 240 V AC (50/60 Hz) |
| | 28 V DC |
| | 240 V AC (50/60 Hz) |
| | 28 V DC |
| Operating voltage | 50 V AC ... 264 V AC (48 - 62 Hz) |
| | 5 V DC ... 30.8 V DC |
| Rated current I_N | 1 A |
| Rated insulation voltage U_i | 440 V AC |
| Insulation resistance R_{iso} | > 100 M Ω (main contact) |
| Required backup fuse | 16 A |
| Rated short-circuit switching capacity I_{cn} | 200 A (240 V AC) |
| | 400 A (28 V DC) |
| Dielectric strength | 2000 V |
| Switching cycles, max. | 6000 (at 1 x I_n) |
| | 50 (at 1.5 x I_n) |
| | 40 (at 6 x I_n) |
| Degree of pollution | 2 |
| Overvoltage category | II |

Dimensions

| | |
|--------|---------|
| Height | 85.5 mm |
| Width | 12.3 mm |
| Depth | 89.5 mm |

Ambient conditions

| | |
|---------------------------------|------------------------|
| Degree of protection | IP40 (Actuation area) |
| | IP20 (Connection area) |
| Ambient temperature (operation) | -30 °C ... 60 °C |

Connection data

| | |
|------------------------------------|---------------------|
| Conductor cross section solid min. | 0.2 mm ² |
|------------------------------------|---------------------|

Thermomagnetic device circuit breaker - UT 6-TMC M 1A - 0916604

Technical data

Connection data

| | |
|--|----------------------|
| Conductor cross section solid max. | 10 mm ² |
| Conductor cross section flexible min. | 0.2 mm ² |
| Conductor cross section flexible max. | 10 mm ² |
| Conductor cross section AWG min. | 24 |
| Conductor cross section AWG max. | 8 |
| Conductor cross section flexible, with ferrule without plastic sleeve min. | 0.25 mm ² |
| Conductor cross section flexible, with ferrule without plastic sleeve max. | 6 mm ² |
| Conductor cross section flexible, with ferrule with plastic sleeve min. | 0.25 mm ² |
| Conductor cross section flexible, with ferrule with plastic sleeve max. | 6 mm ² |
| 2 conductors with same cross section, solid min. | 0.2 mm ² |
| 2 conductors with same cross section, solid max. | 2.5 mm ² |
| 2 conductors with same cross section, stranded min. | 0.2 mm ² |
| 2 conductors with same cross section, stranded max. | 2.5 mm ² |
| Two conductors with the same cross section stranded, with ferrule and without plastic sleeve, minimum | 0.25 mm ² |
| Two conductors with the same cross section stranded, with ferrule and without plastic sleeve, maximum | 1.5 mm ² |
| Two conductors with the same cross section, flexible, with TWIN ferrules, with plastic sleeve, minimum | 0.5 mm ² |
| Two conductors with the same cross section, flexible, with TWIN ferrules, with plastic sleeve, maximum | 4 mm ² |
| Connection method | Screw connection |
| Stripping length | 12 mm |
| Screw thread | M4 |
| Tightening torque, min | 1.5 Nm |
| Tightening torque max | 1.8 Nm |

Standards and Regulations

| | |
|--------------------------|------------------|
| Standards/specifications | EN 60934 |
| | UL 1077 |
| | CSA 22.2 No. 235 |
| | EAC |

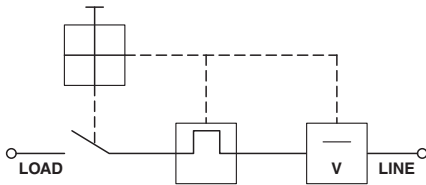
Environmental Product Compliance

| | |
|------------|---|
| China RoHS | Environmentally Friendly Use Period = 50 years |
| | For details about hazardous substances go to tab "Downloads", Category "Manufacturer's declaration" |

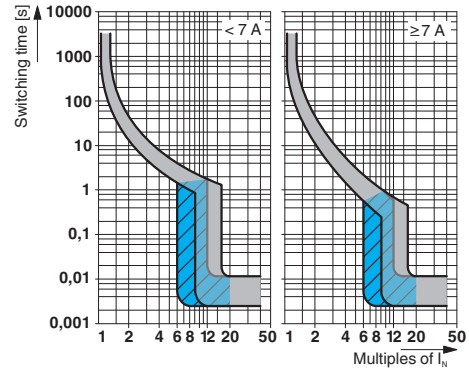
Drawings

Thermomagnetic device circuit breaker - UT 6-TMC M 1A - 0916604

Block diagram

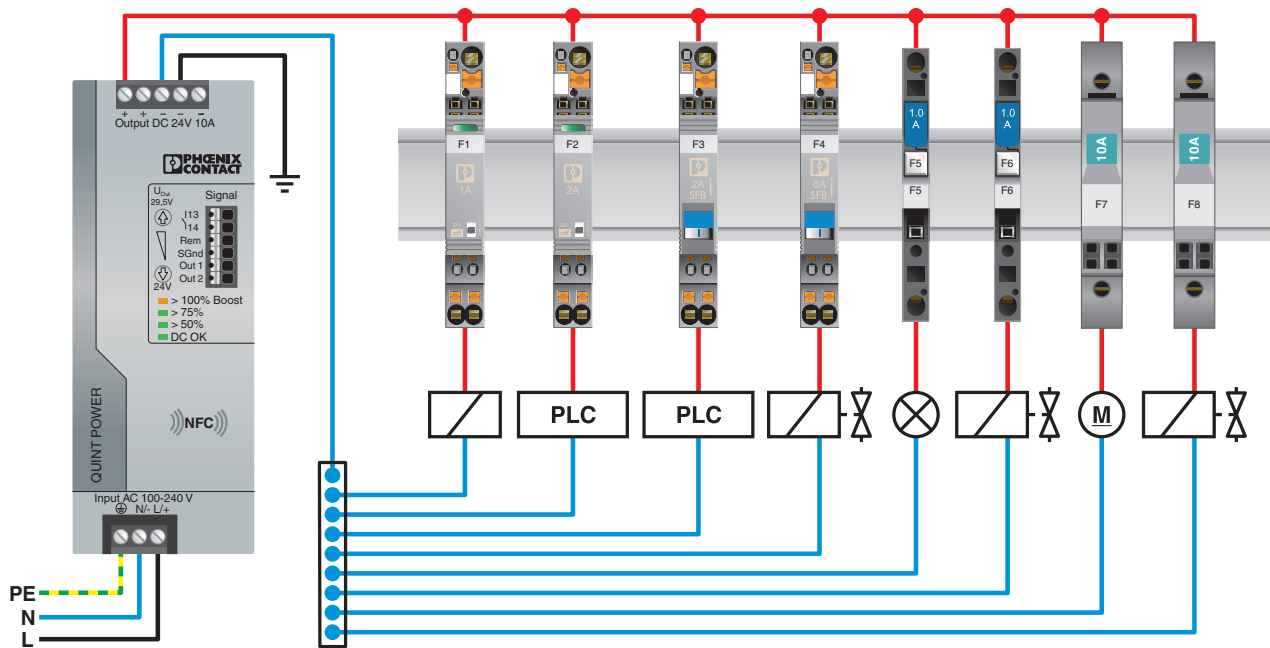


Diagram



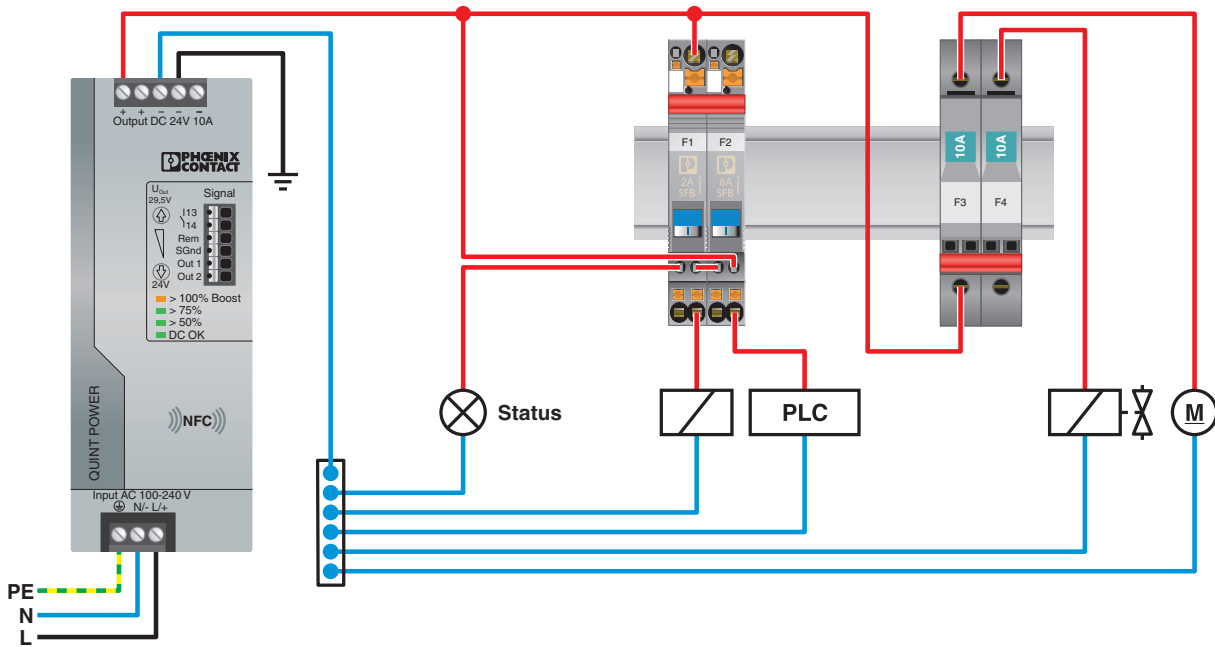
Trigger characteristic

Application drawing



Thermomagnetic device circuit breaker - UT 6-TMC M 1A - 0916604

Application drawing



Classifications

eCl@ss

| | |
|---------------|----------|
| eCl@ss 10.0.1 | 27141116 |
| eCl@ss 11.0 | 27141116 |
| eCl@ss 4.0 | 27141100 |
| eCl@ss 4.1 | 27141100 |
| eCl@ss 5.0 | 27141100 |
| eCl@ss 5.1 | 27141100 |
| eCl@ss 6.0 | 27141100 |
| eCl@ss 7.0 | 27141116 |
| eCl@ss 9.0 | 27141116 |

ETIM

| | |
|----------|----------|
| ETIM 2.0 | EC000899 |
| ETIM 3.0 | EC000899 |

Thermomagnetic device circuit breaker - UT 6-TMC M 1A - 0916604

Classifications

ETIM

| | |
|----------|----------|
| ETIM 4.0 | EC000899 |
| ETIM 6.0 | EC000899 |
| ETIM 7.0 | EC000899 |

UNSPSC

| | |
|---------------|----------|
| UNSPSC 6.01 | 30211812 |
| UNSPSC 7.0901 | 39121411 |
| UNSPSC 11 | 39121411 |
| UNSPSC 12.01 | 39121411 |
| UNSPSC 13.2 | 39121410 |
| UNSPSC 18.0 | 39121410 |
| UNSPSC 19.0 | 39121410 |
| UNSPSC 20.0 | 39121410 |
| UNSPSC 21.0 | 39121410 |

Approvals

Approvals

Approvals

UL Recognized / cUL Recognized / EAC / KC / CSA / EAC / VDE Zeichengenehmigung / cULus Recognized

Ex Approvals

Approval details

| | | | |
|---------------|--|---|---------------|
| UL Recognized | | http://database.ul.com/cgi-bin/XYV/template/LISEXT/1FRAME/index.htm | FILE E 140459 |
|---------------|--|---|---------------|

| | | | |
|----------------|--|---|---------------|
| cUL Recognized | | http://database.ul.com/cgi-bin/XYV/template/LISEXT/1FRAME/index.htm | FILE E 140459 |
|----------------|--|---|---------------|

| | | |
|-----|--|---------------|
| EAC | | EAC-Zulassung |
|-----|--|---------------|

Thermomagnetic device circuit breaker - UT 6-TMC M 1A - 0916604

Approvals

| | | | |
|------------------------|--|---|---------------------|
| KC | | http://eng.kcc.go.kr/user/ehpMain.do | SW05013-15001 |
| CSA | | http://www.csagroup.org/services-industries/product-listing/ | 250505 |
| EAC | | | RU C-DE.A*30.B01546 |
| VDE Zeichengenehmigung | | http://www2.vde.com/de/Institut/Online-Service/VDE-gepruefteProdukte/Seiten/Online-Suche.aspx | 40028127 |
| cULus Recognized | | | |

Accessories

Accessories

Jumper

Plug-in bridge - FBS 2-6 - 3030336



Plug-in bridge, pitch: 6.2 mm, width: 10.7 mm, number of positions: 2, color: red

Plug-in bridge - FBS 3-6 - 3030242



Plug-in bridge, pitch: 6.2 mm, width: 16.9 mm, number of positions: 3, color: red

Thermomagnetic device circuit breaker - UT 6-TMC M 1A - 0916604

Accessories

Plug-in bridge - FBS 4-6 - 3030255



Plug-in bridge, pitch: 6.2 mm, width: 23.1 mm, number of positions: 4, color: red

Plug-in bridge - FBS 5-6 - 3030349



Plug-in bridge, pitch: 6.2 mm, width: 29.3 mm, number of positions: 5, color: red

Plug-in bridge - FBS 10-6 - 3030271



Plug-in bridge, pitch: 6.2 mm, width: 60.3 mm, number of positions: 10, color: red

Plug-in bridge - FBS 20-6 - 3030365



Plug-in bridge, pitch: 6.2 mm, width: 122.3 mm, number of positions: 20, color: red

Screwdriver tools

Screwdriver - SZS 1,0X4,0 VDE - 1205066



Screwdriver, slot-headed, VDE insulated, size: 1.0 x 4.0 x 100 mm, 2-component grip, with non-slip grip

Thermomagnetic device circuit breaker - UT 6-TMC M 1A - 0916604

Accessories

Terminal marking

Marker for terminal blocks - UC-TM 12 - 0819194



Marker for terminal blocks, Sheet, white, unlabeled, can be labeled with: BLUEMARK ID COLOR, BLUEMARK ID, BLUEMARK CLED, PLOTMARK, CMS-P1-PLOTTER, mounting type: snap into tall marker groove, for terminal block width: 12 mm, lettering field size: 11.45 x 10.5 mm, Number of individual labels: 40

Zack marker strip - ZB 12:UNPRINTED - 0812120



Zack marker strip, Strip, white, unlabeled, can be labeled with: PLOTMARK, CMS-P1-PLOTTER, mounting type: snap into tall marker groove, for terminal block width: 12.2 mm, lettering field size: 12 x 10.5 mm, Number of individual labels: 5